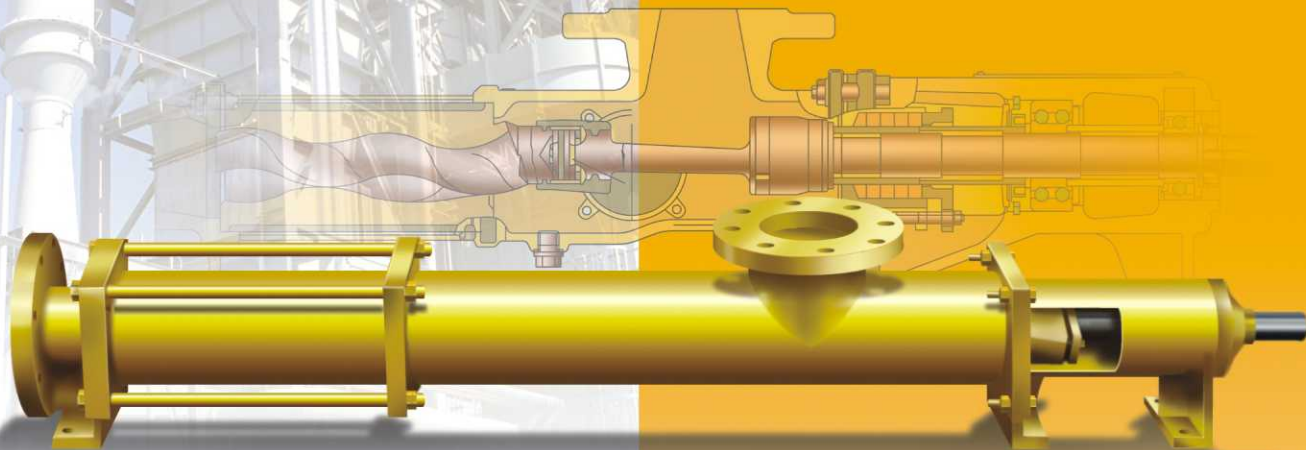




the most
dependable range of
 positive displacement
pumps



Progressive cavity Pump RSSP

Applications :

Rovar progressive cavity pumps are ideal for pumping neutral or slightly corrosive liquids, contaminated or abrasive liquids, liquids with gases or forth, liquids of low or high viscosity, liquids containing fibrous, semi solid or solid particles.

Typical liquid list :

Food : edible oils, dairy products, meat products, fruit pulps & juices, jams, sugar molasses, pet foods, confectionery products, colours & flavours, wine, jellies & tomato paste

Pharma / cosmetic : ointments, cream, lotion, shampoo & soaps

Paper / Ceramic : titanium dioxide, paper coating, latex, starch, pulp, chemical dosing & ceramic liquid

Marine : bilge & oil sludge pumping

Water & waste water treatment : effluent sludges, oil / water separation, filter press, dosing & flocculants

Chemical : acidic & alkaline slurry, adhesive, paint slurry & emulsions

Textile : starch slurry, caustic lyes, viscose, caprolactum & DMT slurry

Range :

Capacity	:	upto 2000 lpm
Pressure	:	upto 24 kg / cm ²
Temperature	:	upto 150 °C
Viscosity	:	upto 10,00,000 cSt

Material of Construction :

Standard

Casing	:	CI
Rotor	:	carbon steel,
Stator	:	nitrile

Optional

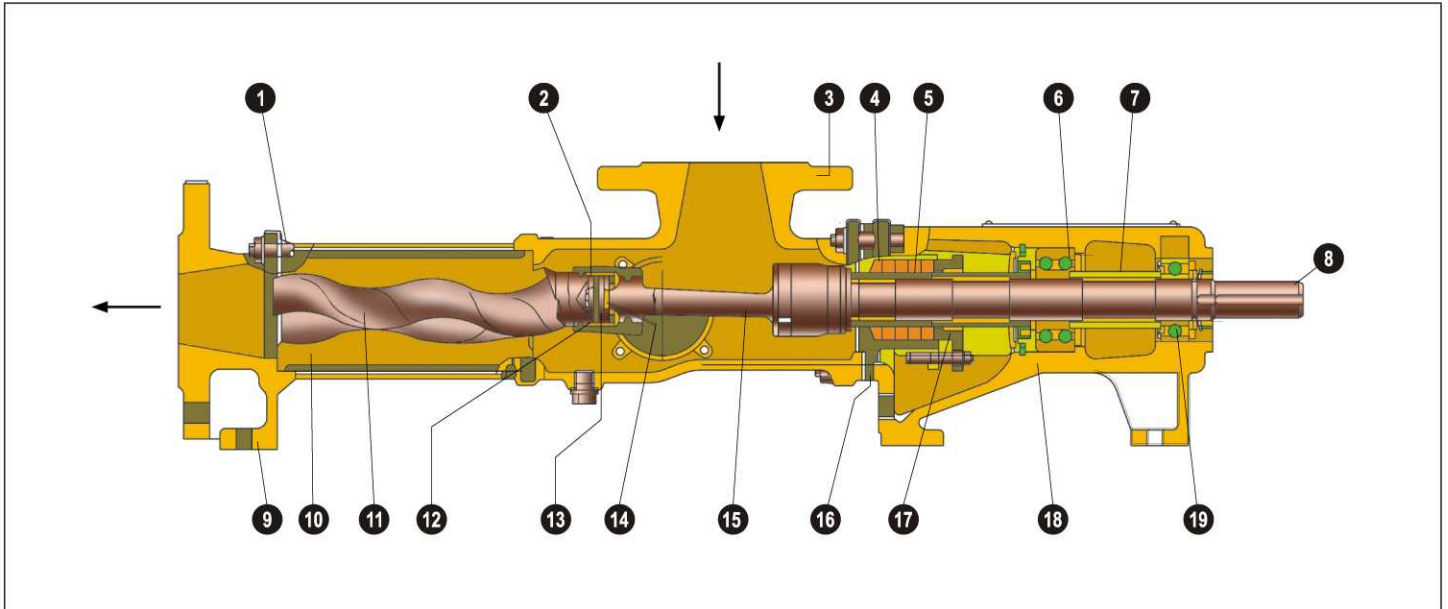
Casing	:	CS, SS, nod CI & bronze
Rotor	:	SS, CS, alloy steel
Stator	:	neoprene, hypalon, EPDM, natural rubber, viton and special elastomers

Features :

- Self priming even with entrained air
- Capability of pumping very high viscous products
- Shaft seal flexibility
- Minimal damage to shear sensitive liquids
- Low NPSHR
- Pulsation free
- Can handle liquids with solids or abrasive particles
- Externally housed bearings
- Wide throat inlet with auger for very high viscous non flowable media
- Easy cleaning with CIP ensuring complete self emptying

Working Principle :

The self priming Rovar progressive cavity pump consists of single threaded metal screw which rotates eccentrically within a double helix vulcanized rubber stator, of twice the pitch length of the stator. On rotation the rotor screw creates mobile chambers / cavities which progress towards the discharge end carrying the pumped material. The pumping product is conveyed or transferred without being churned or changing the properties of the product.



- | | | | |
|-------------------------|---------------------|-----------------------|--------------------------|
| 1. Tie rod | 6. Axial bearing | 11. Rotor | 16. Stuffing box housing |
| 2. Guide bush | 7. Spacer sleeve | 12. Retaining sleeve | 17. Gland |
| 3. Suction casing | 8. Drive shaft | 13. Coupling rod pin | 18. Bearing housing |
| 4. Stuffing box packing | 9. Discharge casing | 14. Coupling rod bush | 19. Radial bearing |
| 5. Shaft sleeve | 10. Stator | 15. Coupling rod | |

Performance of RSSP series

Model	Single stage 6 bar			Model	Two stage 12 bar			Model	Four stage 24 bar		
	Max. Flow lpm	Max. Power kW	Max. Speed rpm		Max. Flow lpm	Max. Power kW	Max. Speed rpm		Max. Flow lpm	Max. Power kW	Max. Speed rpm
RSSP 20.1	35	1.1	1440	RSSP 20.2	35	2.3	1440	RSSP 20.4	30	3.2	1440
RSSP 30.1	80	2	1440	RSSP 30.2	80	4.4	1440	RSSP 30.4	75	5.2	1440
RSSP 50.1	150	2.9	1440	RSSP 50.2	150	3.8	1440	RSSP 50.4	110	4.35	1000
RSSP 65.1	225	3.5	1000	RSSP 65.2	225	7.9	1000	RSSP 65.4	150	9.4	720
RSSP 75.1	500	7	1000	RSSP 75.2	500	13.2	1000	RSSP 75.4	375	15.8	500
RSSP 100.1	1100	21	720	RSSP 100.2	1100	38	720	RSSP 100.4			
RSSP 125.1	1900	30	600	RSSP 125.2	1900	61.2	600	RSSP 125.4			

Test Liquid : Water, Viscosity : 1 cSt @ 38 °C



Manufactured by
ROVAR PUMPS
PRIVATE LIMITED
 Shinoli - 416 507 Maharashtra India
 Website : www.rovarpumps.com

The company reserves the right to change any specification without prior notice

Your area dealer

Mktg. offices
BELGAUM
 2nd Floor, 'B' Wing,
 'Geetanjali Plaza' (behind Axis Bank),
 21-2, Khanapur Road, Angol,
 Belgaum - 590 006 India.
 Tel.: +91-831-2485 450, 4201 063.
 Fax: +91-831-2485 451.
 E-mail : sales@rovarpumps.com

CHENNAI
 No. 10, 1st Floor,
 602, Annasalai,
 Chennai - 600 006 India
 Tel.: +91-44-2822 4170